



LED 油站灯/高棚灯

Gas station Light/Highbay Light



技术参数 Technical Parameters



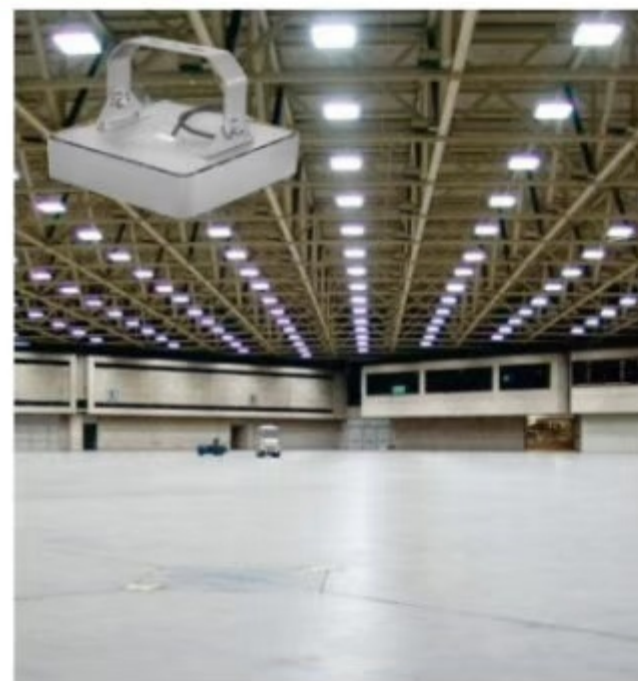
产品型号 Model	功率 Power	整灯亮度 Luminous	灯珠数量 Chips Qty	输入电压 Input Voltage	Ip等级 IP Grade	发光角度 Beam Angle	灯体尺寸 Product Size
KTHL2209-80	80W	10400LM	126PCS 3030	90-265VAC	IP65	120	L320*W320*H 224mm
KTHL2209-100	100W	13000LM	154PCS 3030	90-265VAC	IP65	120	L320*W320*H 224mm
KTHL2209-120	120W	15600LM	154PCS 3030	90-265VAC	IP65	120	L320*W320*H 224mm
KTHL2209-150	150W	19500LM	196PCS 3030	90-265VAC	IP65	120	L320*W320*H 224mm

私模专利，压铸铝外壳。
Private mould, Die-casting AL housing.

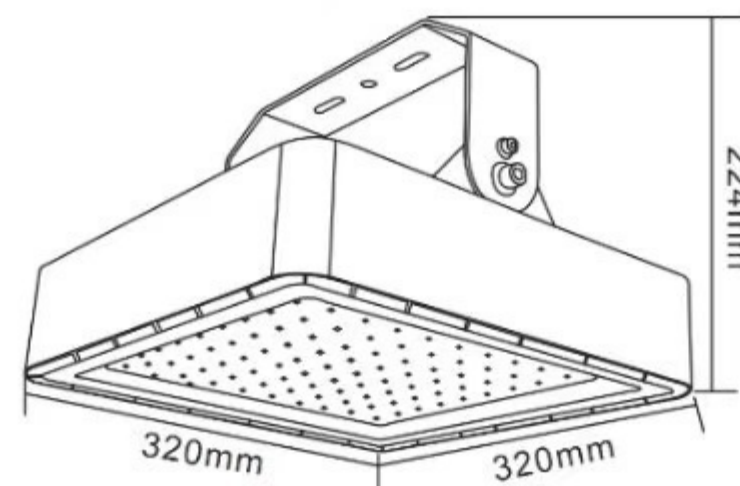
有1-10V, PWM, DALI调光功能可选。
1-10V, PWM, DALI Dimmable available.

明纬电源，飞利浦或科锐芯片方案，质保五年。
Meanwell Driver, Philips or Cree chips, 5 years warranty.

案例 Case



尺寸图 Product Size



用途 Application

广泛适用于各种油站照明, 工矿照明, 机场照明, 体育馆照明等项目。

Widely used for various oil/gas station lighting, industrial and mining lighting, Airport lighting, Gymnasium lighting and other projects.